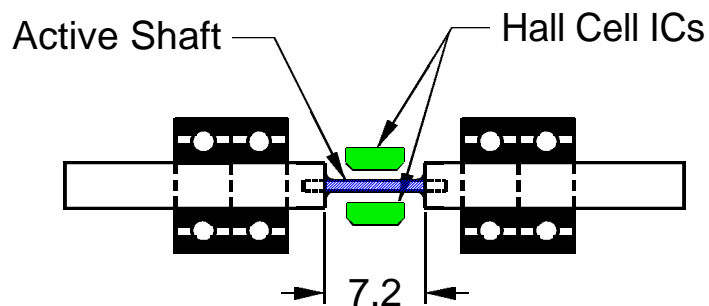


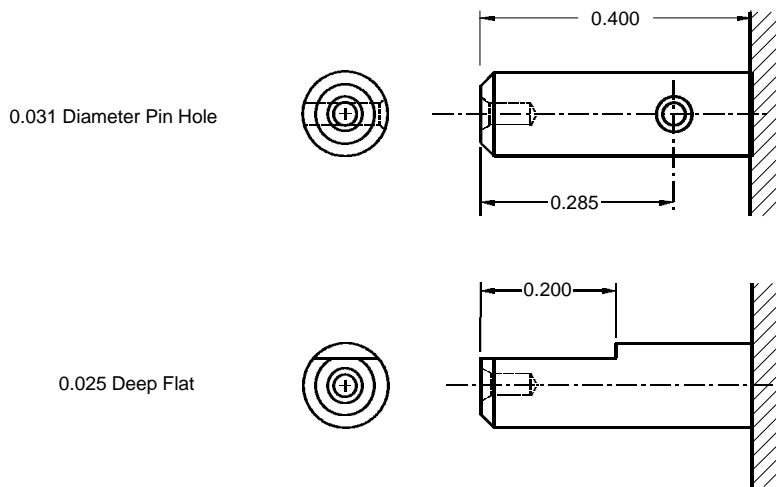
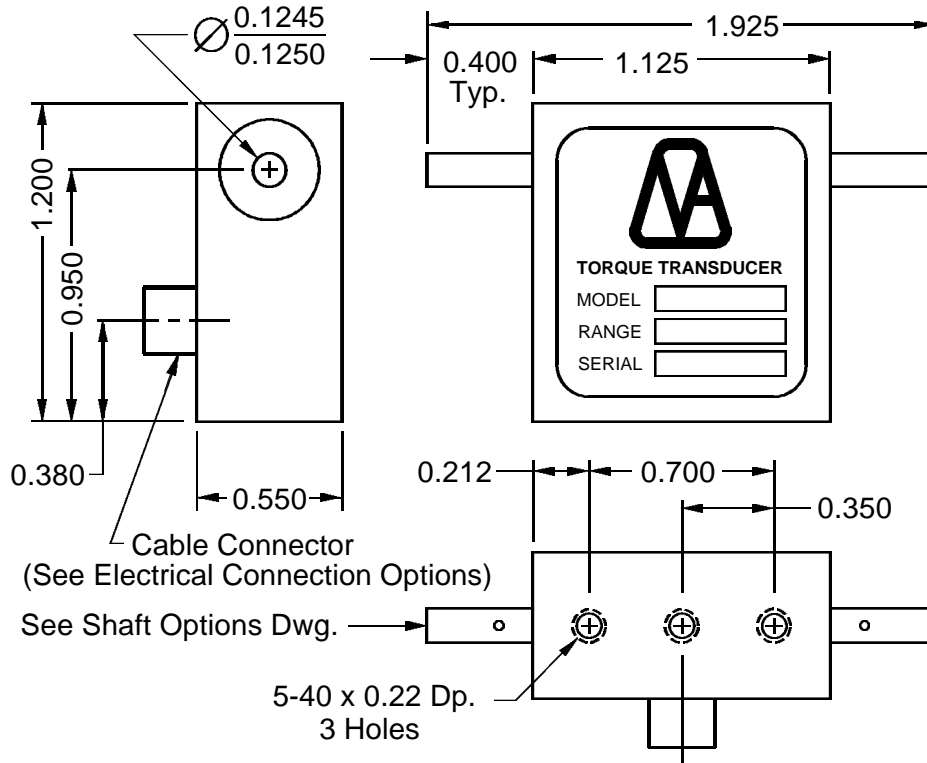
## SERIES MLY Torque Transducer

Ranges -  $\pm 5$  mN•m to  $\pm 200$  mN•m



These are magnetoelastic torque transducers. Internal construction is illustrated in the figure below. The two stub shafts at either end of the central "Active Shaft" are made from Type 303 stainless steel (a non-magnetic material). The diameter of the active (magnetoelastically active) shaft is sized according to the rated torque range. The length of this shaft is 7.2 mm.





## SHAFT END OPTIONS

(Full Round - also available)